

Rev	Ind	Revision	Appd	Date

Bushing Data:

Rated Voltage	170	kV
Phase to-earth Voltage	123	kV
Dry Lightning Impulse 1,2/50µs	550	kV
Wet Switching Impulse	400	kV
Wet Power frequency AC	240	kV
Routine test Imin dry 50Hz	260	kV
Rated Current	5000	A
Creepage Distance	3355	mm
Mass	300	kg

Ordering Data:

BUSHING COLOUR AIR INSULATOR
 LF121053 -F / -AF BROWN / LIGHT GREY

OUTER TERMINAL

	H2	D2
	(mm)	(mm)
LF170 073-A Al	125	60
LF170 073-B Cu	125	60
LF170 073-G Cu/Ag	125	60
OTHER TYPES ON REQUEST		

END-SHIELD

LF170 046-U EPOXY INSULATED
 LF170 046-UP INSULATED WITH 3 mm PRESSBOARD

DRAW ROD SYSTEM

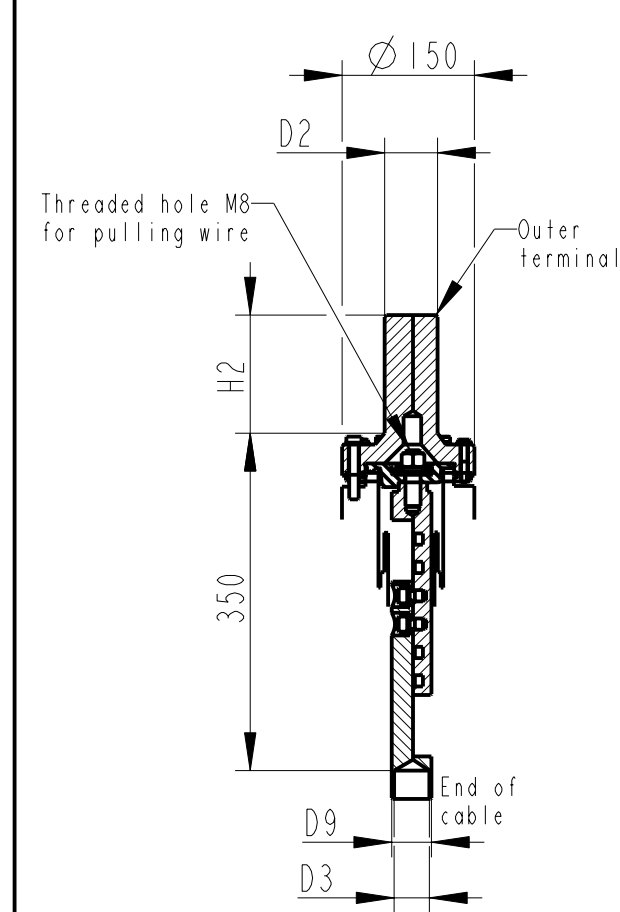
LF170 059 LOWE

LF170 056-C	30	35	285	1000	70	830
-------------	----	----	-----	------	----	-----

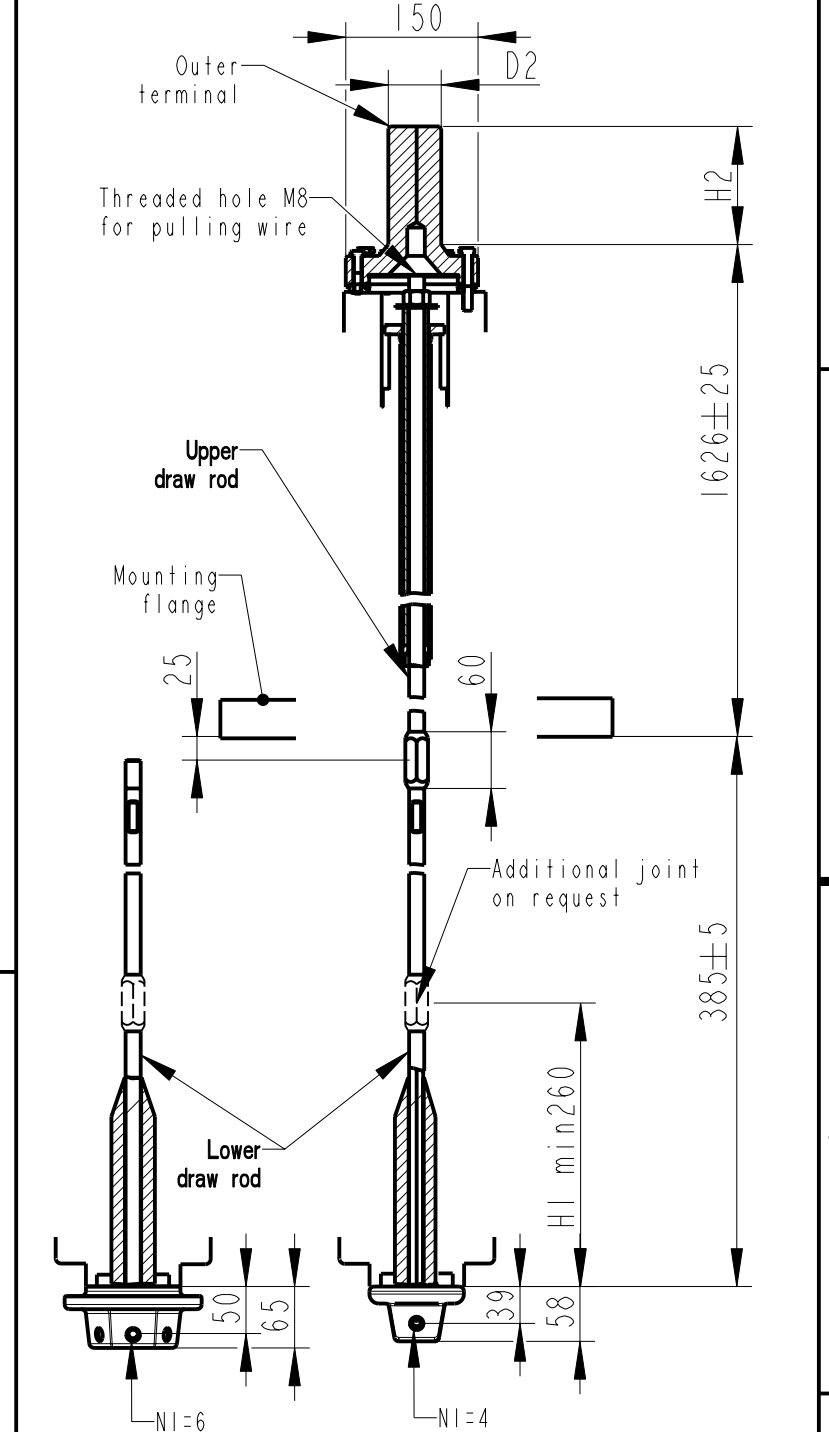
*) WITH PILOT HOLE D=5

ABB Components		Lubika, Sweden	
Ur/ty	Nb.	50-60 Hz	
U	kV SI	kV AC	kV
M	kg L	mm D	
C1	pF Tanδ		
C2	pF Tanδ		

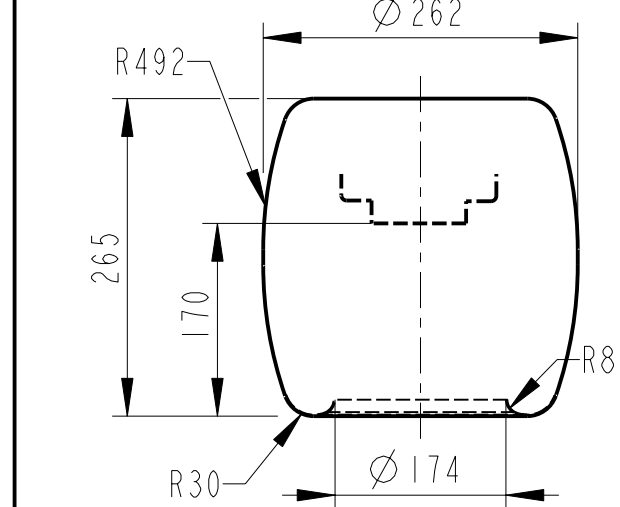
INNER TERMINAL / OUTER TERMINAL



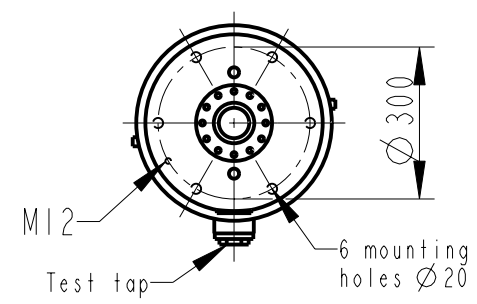
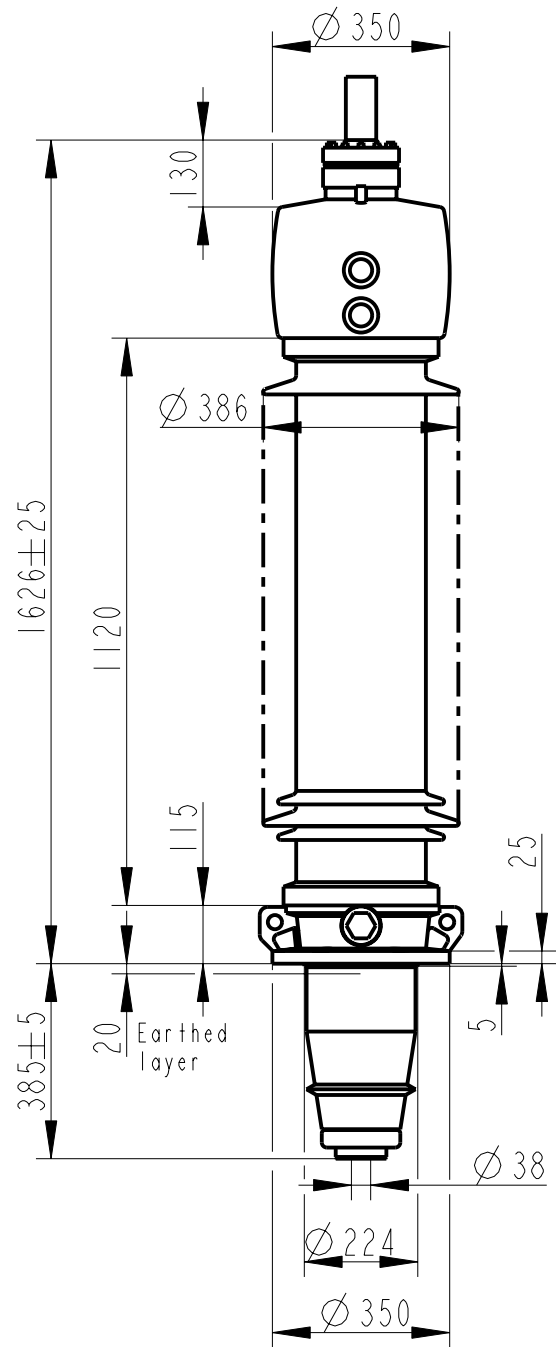
DRAW ROD SYSTEM / OUTER TERMINAL



END SHIELD



N1=Number of holes M12, equipped with thread insert with screw lock, depth 20, for cable lugs.



We reserve all rights in this document and in the information contained therein. Reproduction, use or disclosure to third parties without express authority is strictly forbidden. ©ABB

Based on	Reg. No.	Title GOE-450-400-5000-0	Language 82
Prepared Lövnord	Responsible department COM/BK 0022		
Approved Johansson	Take over department	Page 1(1)	Document No. 2751369-56
Design engineering review Gutman	Database		
ABB ABB Components			